



香港水務監督辦事處(水務局)認可產品
英國皇家水質研究中心批准產品
英國水質附屬法例認可產品
英國水務學會認可產品

OTHER PRODUCTS WE OFFER ARE AS FOLLOWS:

- Sectional Storage Cisterns 分件式儲水箱
- One Piece Storage Cisterns 單件式儲水箱
- Clinical Waste Units 化學廢料箱
- Mobile Storage Units and Safe Stores 移動儲物箱
- Fuel Oil Separators 燃油油分離器
- Storm water Balancing Tanks 雨水平衡缸
- Pressure Vessels 壓力缸
- Sewage Treatment Plants 污水處理缸
- Septic / Primary Settlement Tanks 化糞池沉澱缸
- Grease Traps 隔油分離缸
- Agricultural Products 農業用途用品
- Chemical Storage 化學儲存
- One-off GRP Fabrications 其他玻璃纖維用品



Associate Website :
www.dura.hk



(852) 2893 8865
Fax: (852) 2893 6321
info@fiberglass.com.hk
www.fiberglass.com.hk

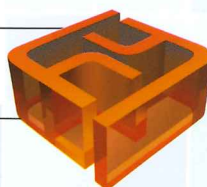


客戶服務熱線
8222 8882

▶ ▶ ▶ www.fiberglass.com.hk

YEUNG'S fiberglass

楊氏玻璃纖維 est. 1983



Yeung's Fiberglass Company
Government Approved Specialist Contractor

Unit B, 22/FL, CNT Tower,
338 Hennessy Road
Wanchai, Hong Kong
Tel: (852) 2893 8865
Fax: (852) 2893 6321
E-mail: yeungs@fiberglass.com.hk
Web: www.fiberglass.com.hk

楊氏玻璃纖維公司
政府認可公共工程物料專門承造商

香港灣仔軒尼詩道338號
北海中心 22樓 B室
電話: (852) 2893 8865
傳真: (852) 2893 6321
電郵: yeungs@fiberglass.com.hk
國際網絡: <http://www.fiberglass.com.hk>



DISCOVER
YEUNG'S



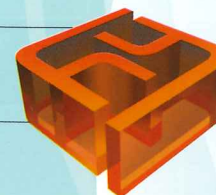
Disclaimer:

Yeung's Fiberglass believes that the information contained in this brochure is accurate and is printed for information only. No warranties, express or implied, are contained therein, nor does any legal liability attach to Yeung's Fiberglass for any reason whatsoever.

March 2020

YEUNG'S

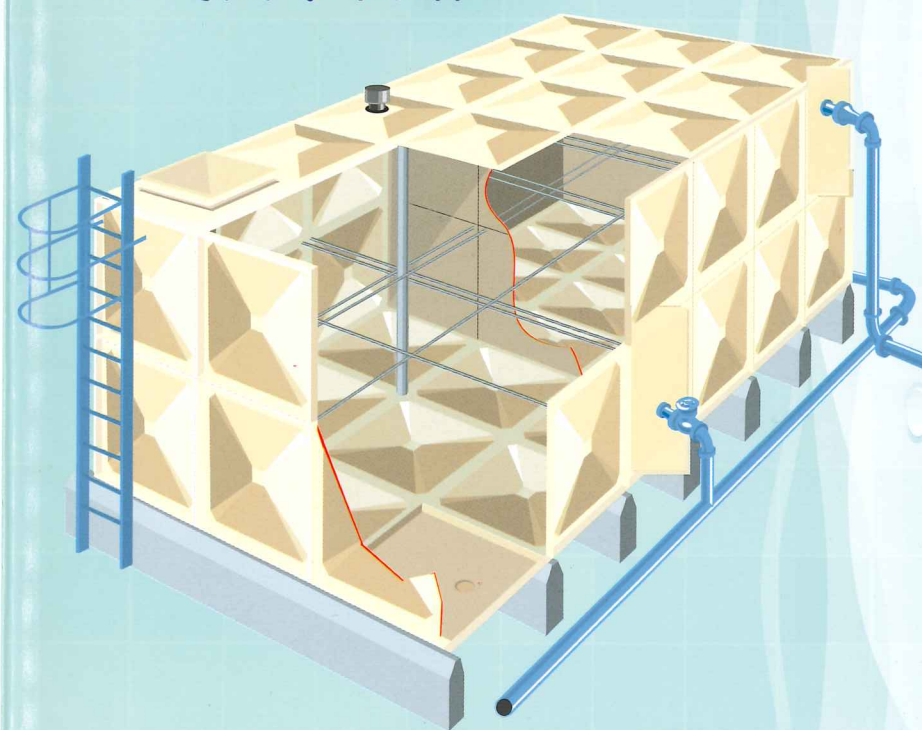
fiberglass



楊氏玻璃纖維 est. 1983

You are in safe hands with Yeung's Fiberglass
The GRP Tank Specialists
玻璃纖維強化聚酯蓄水系統

Water Storage Technology
先進儲水技術



DORATANK™
GRP Water Tank



ISO 9001 : 2015 國際標準組織 品質管理系統 認證
ISO 14001 : 2015 國際標準組織 環境管理系統 認證
香港特別行政區政府 認可公共工程物料供應商及專門承造商

客戶服務熱線
8222 8882

Glass Reinforced Plastic (GRP) Tank

- One-piece Type
- Multi-modular Type
- Sectional / Panel Type
- Circular Type

玻璃纖維強化聚酯蓄水系統

- 單件式
- 多件式
- 組合式
- 圓柱式

Over **35** years
Services in
Water Storage



DSD & WSD Approved Type
此產品已獲香港水務署
及香港水務署認可



水務署
Water Supplies Department
APPROVED PRODUCT
ACCEPTANCE NO
M0160036



香港水務處
核准物料證明書
可供下載

水紙下載

Yeung's Fiberglass has been at the forefront of the water storage industry since 1983, specializing in the design and construction of water storage tanks in Glass Reinforced Plastics (GRP). We are recognized as one of the market leaders in Hong Kong.

Our expanding customer base embraces many major clients including Government Authorities, Schools, Hospitals, Prison Service and the Construction Industry. From high rise flats to houses, our service remains First Class. Yeung's Fiberglass is approved by Hong Kong Water Authority, WRAS*, WBS and Institute of Plumbing, UK.



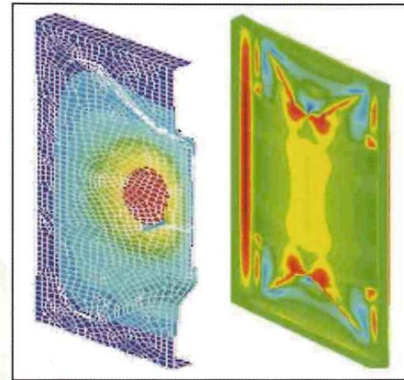
GRP Sectional Tanks are extremely rugged but light to handle, which makes it ideal for use on sites with restricted access and for shipment into the most inaccessible areas of the world using the most basic means of transport. Assembly is simple and quick, requiring only handtools and the minimum of skilled labour.

Yeung's Fiberglass does not use sub-contract labour to build our tanks. Our fully trained operatives work full time only on our behalf throughout Hong Kong, Macau and China. We are prepared to respond to our customers' demands, any changes in site requirements would be responded immediately.

*Water Regulations Advisory Scheme (WRAS) is the UK authority that regulates materials that may be used in contact with potable / drinking water

楊氏玻璃纖維自1983年起提供玻璃纖維儲水箱設計、生產及安裝工程，於市場上一直處於領導地位。本公司自1986年便成為香港政府認可公共工程物料供應商及專門承造商名冊(供應商及專門承造商名冊)。

本公司產品之客戶十分廣泛，其中包括政府部門、學校、醫院、大小型基建及工程。而玻璃纖維儲水箱亦成為香港水務監督辦事處(水務局)、英國皇家水質研究中心*、英國水質附屬法例委員會及英國水務學會認可產品。



**Independent Market Report states
Yeung's Fiberglass On Site Service
is "SECOND TO NONE"**

本公司所生產之單件式、多件式及組合式水箱不但耐用輕巧，而且易於運送，最適合應用於地方有所限制之泵房或天台。技術人員只需利用輕便工具及於極短時間內進行安裝。

楊氏玻璃纖維一向著重質優及以客為先的精神，於安裝玻璃纖維儲水箱時絕不外判工程，全部技術人員均擁有十五年以上之生產及安裝經驗，給予百份百信心保證。



*英國皇家水質研究中心(WRAS)是英國政府法定組織，專門研究及批核所有接觸飲用水及食水之容器。

客戶服務熱線
8222 8882



**Mission Statement
使命宣言**

YEUNG'S Fiberglass aims to manufacture goods that excel our customer specifications and deliver them on time. Since we began in 1983, we have done our best to live up to this ideal by continuous improvement.

Our mission is to utilize our expertise in composites products to provide the absolute best value as measured by quality, cost, delivery, time and innovation.

楊氏玻璃纖維公司從 1983年起立志提供及製造最優質玻璃纖維產品。

我們的使命是運用我們在複合產品上的專門技術和知識，提供絕對最佳價值、質量、費用、交付時間和創新意念給予我們專貴的客戶。

**Value
企業精神**

**To put our Customers at the First Place
To strength our business through development and research
To enhance productivity by upgrading system and process
To provide more innovative ideas to the final user**

以客為首

以人為本

注重科研

著重創新

Contractor Name	Categories/Categories in which Supplier/Specialist Contractor is included
Wise Engineering Co. Ltd.	Electrical Installations (Group II)
Wai Hing Engineering Ltd.	Fire Services Installations (Group II)
	Air-conditioning and Refrigeration Installations (Group II)
	Electrical Installations (Group II)
	Industrial Type Electrical Installations - On premises
Wai Kee Engineering Ltd.	Supply and Installation of Audio Electronics Equipment-On premises
Wing Fu & Co., Ltd.	Specialist Operations for Highway Structures (Class II)
	Supply and Installation of Expansion Joints for Highway Structures
	Structural steelwork expansion joints manufactured by Structural Associates Inc., P.O. Box 2270, 204 Main Street, N.W. Littleton, CO 80145, U.S.A. And for "Shelton Strip Seal Expansion Joints & Ductile Elastomeric Concrete"
Wing Hop Electrical Co. Ltd.	Electrical Installations (Group II)
Wong Lee Construction Co. Ltd.	Turn-key Starter Design and Fit-out Works (Group II)
Worldwide Engineering Services Ltd.	Fire Services Installations (Group II)
Wu He & Associates Ltd.	Land, Engineering and Hydrographic Survey Services
Wylson's Services Ltd.	Fire Services Installations (Group II)
Yan Lee Construction Co. Ltd.	Repair and Restoration of Historic Buildings
Yan Sang Electrical & Contractor Ltd.	Electrical Installations (Group II)
Yau Lee Construction Co. Ltd.	Land Piling (Group II)
	Building systems
	Turn-key Starter Design and Fit-out Works (Group II)
Yau Lun Metal Works Ltd.	Structural Steelwork
Yau Sang Engineering Co.	Liquid Petroleum Gas Installation
Yau Sang Contractors (Ho-Dap) Co. Ltd.	Specialist Operations for Highway Structures (Class V)
Yau Wing Co., Ltd.	Precast Concrete Works for Highway Structures (Class II)
	Precast Concrete Works for Highway Structures (Class II)
Yau Sun Garden Ltd.	Landscape (Class II) (Group II)
	Landscape (Class II) (Group II)
Yeung's Fiberglass Co.	Supply and Installation of Glass (or Fibre) Reinforced Plastic Units
Yew Sang Hing Co.	Broadband Reception Installation
Yick Hing Construction	Electrical Installations (Group II)
	Landscape Preservation/Removal Works to Slopes/Rising Walls-On premises
Yip Tong Kee Co. Ltd.	Air-conditioning and Refrigeration Installations (Group II)-On premises

Yeung's Fiberglass Co. Supply and Installation of Glass (or Fibre) Reinforced Plastic Units
自1986年起，楊氏玻璃纖維公司成為香港政府指定專業供應商及承辦商



**香港水務處
核准物料證明書
可供下載**



Design Criteria
設計概念

Tank System Comparison Chart 水箱系統物料比較

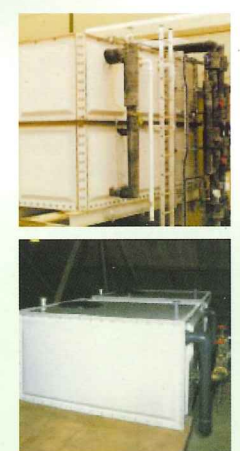
Description 項目	Water Quality 水質控制	Water Tightness 防漏控制	Resistance to Corrosion 防銹監控	Ease of Installation 安裝方便程度	Flexibility for change 裝拆容易程度	Ease of Maintenance 維修程度	Ease of Insulation 隔熱功能
YEUNG'S FIBERGLASS GRP TANK 楊氏玻璃纖維儲水箱	★★★★	★★★★	★★★★	★★★★	★★★★	★★★★	★★★★
Concrete Tank 石屎儲水箱	▼	★★	★★	▼	▼	▼	★★★★
Steel Tank 鐵制組合式儲水箱	★★	★★★★	★★	▼	▼	▼	▼
Aluminum Tank 鋁制組合式儲水箱	★★	★★	★★	★★	★★	▼	▼

★★★★ Excellent (極好) ★★★ Good (好) ★★ Acceptable (可接受) ▼ Poor (不能接受)

International Recognized Standards 國際標準

所有儲水箱乃根據以下國際標準生產及安裝

International Standards	國際標準
BS 3496 Part 1 to 3	英國國家標準 3496 號 第1及第3部份
BS 3479	英國國家標準 3479 號
BS 3691	英國國家標準 3691 號
BS 3749	英國國家標準 3749 號
BS 4994	英國國家標準 4994 號
BS 5422	英國國家標準 5422 號
BS 6399 Part 1	英國國家標準 6399 號 第1部份
BS 6920	英國國家標準 6920 號
BS 7491 Part 1, 2 and 3	英國國家標準 7491 第1、第2及第3部份
BS EN 13280 : 2001	英國國家及歐盟標準 13280 號
SS 245	新加坡國家標準 245 號
APP-100	香港特別行政區認可人士備忘 APP-100 號



Mechanical Properties 力學數據

MECHANICAL DATA

Tensile Strength	171 Mpa
Elongation	1.8%
Tensile Modulus	12600 N/mm ²
Compressive Strength	102 N/mm ²
Flexural Strength	250 N/mm ²
Flexural Modulus	12810 N/mm ²
Interlaminar Shear Strength	18.5 N/mm ²
Dielectric Strength	18 kN/mm
Specific Gravity	1.5-1.7
Thermal Expansion Factor	13 x 10 ⁻⁶ mm/mm°C
Water Absorption	0.1% + 0.3% x 24 hours (ISO R62)
Operating Temperature	-100°C to +180°C



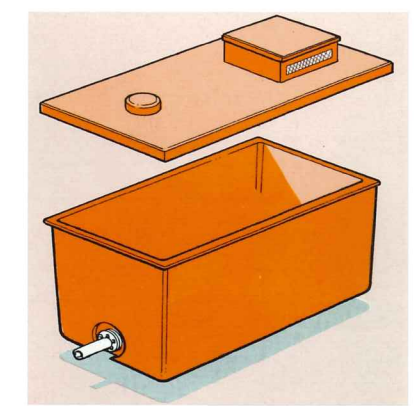
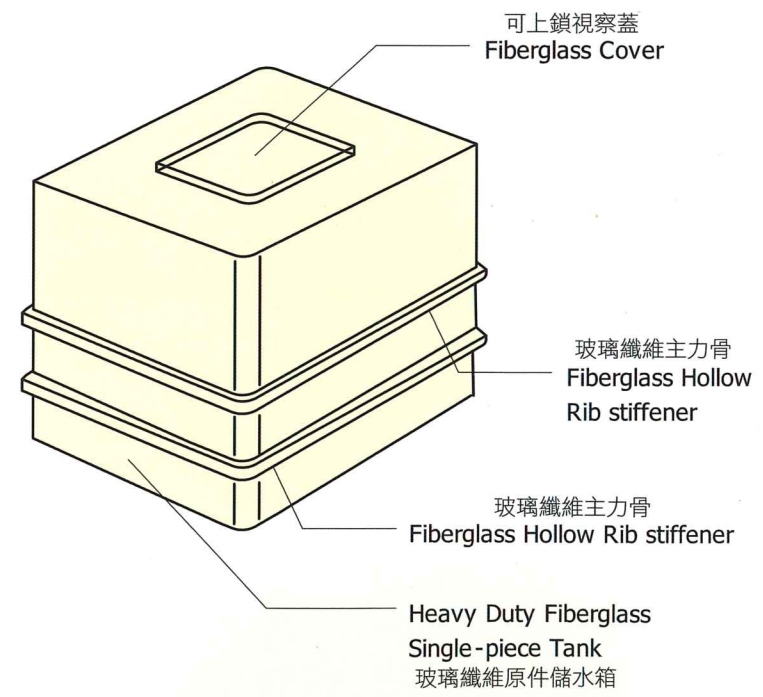
客戶服務熱線
8222 8882

單件式儲水箱
One-Piece Type GRP Tank

ONE PIECE TANK

Yeung's fiberglass has been at the forefront of water storage industry since 1983, specializing in the design and construction of water storage tanks in Glass Reinforced Plastics (GRP). Structural calculation with Registered Professional Engineer (RPE) Endorsement will be provided on request.

楊氏玻璃纖維公司自從1983年開始設計及製造單件式儲水箱，其耐用程度深受各用家讚賞，本公司可提供有關力學測試數據並由香港政府註冊專業工程師加簽。



客戶服務熱線
8222 8882

單件式儲水箱

One-Piece Type GRP Tank

Standard Tank List

尺寸表

單件式水箱 尺寸表					
Series 系列	Model No. 型號	L x B x H (m) Int (長x闊x高) 內計	Nominal Cap. (L) 名義 容量(升)	Effective Cap. (L) 實際 容量(升)	Approx. Net Weight (kg) 淨重量(公斤)
Rectangular 長方體	YA - 01	0.5 x 0.5 x 0.4	100	70	20
	YA - 02	0.6 x 0.6 x 0.5	200	140	31
	YA - 03	0.7 x 0.7 x 0.65	300	210	45
	YA - 04	0.7 x 0.7 x 0.8	400	280	52
	YA - 05	0.5 x 1 x 1	500	350	65
	YA - 06	0.5 x 1 x 1.2	600	420	74
	YA - 07	0.5 x 1 x 1.5	750	525	88
	YA - 08	0.5 x 1 x 1.7	850	600	98
	YA - 09	0.5 x 1 x 2	1000	700	115
	YA - 10	1 x 1.5 x 1	1500	1050	130
	YA - 11	1.5 x 1.5 x 0.9	2000	1400	158
	YA - 12	1.0 x 1.5 x 1.5	2500	1750	188
	YA - 13	1.0 x 1.5 x 2.0	3000	2100	208
	YA - 14	1.5 x 1.5 x 2.0	4500	3150	265
	YA - 15	2.0 x 1.5 x 2.0	6000	4200	320
	YA - 16	2.0 x 2.0 x 2.0	8000	5600	385
Square 正方體	SA - 01	0.5 x 0.5 x 0.5	125	100	24
	SA - 02	0.6 x 0.6 x 0.6	215	150	35
	SA - 03	0.7 x 0.7 x 0.7	340	240	48
	SA - 04	0.8 x 0.8 x 0.8	500	350	62
	SA - 05	1 x 1 x 1	1000	700	96
	SA - 06	1.2 x 1.2 x 1.2	1700	1200	140
	SA - 07	1.5 x 1.5 x 1.5	3375	2350	216
	SA - 08	1.8 x 1.8 x 1.8	5800	4000	315
	SA - 09	2 x 2 x 2	8000	5600	385
	SA - 10	2.5 x 2.5 x 2.5	15600	11000	600
Cylinder 圓柱體	CA1 - M	0.5 ϕ x 0.5	95	66.5	18
	CA2 - M	0.5 ϕ x 1	195	135	30
	CA3 - M	0.5 ϕ x 2	390	275	50
	CA4 - M	1.0 ϕ x 0.5	390	275	45
	CA5 - M	1.0 ϕ x 1.0	785	550	70
	CA6 - M	1.0 ϕ x 1.5	1150	800	94
	CA7 - M	1.5 ϕ x 0.5	880	615	88
	CA8 - M	1.5 ϕ x 1.0	1760	1200	100
	CA9 - M	1.5 ϕ x 1.5	2650	1800	120

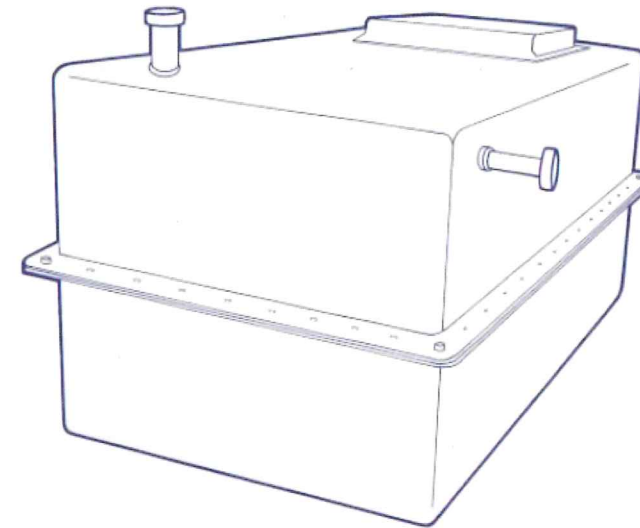
客人可根據實際需要或地盤環境提供尺寸訂做
 Sizes of GRP Water Tank can be custom-made
 to special requirements or site conditions

客戶服務熱線
8222 8882

YEUNG'S fiberglass
 The GRP Tank Specialists
 玻璃纖維儲水箱專業伙伴

多件式儲水箱

Multi-Modular Type GRP Tank



簡介

楊氏玻璃纖維多件式儲水箱最適合安裝地方有限之項目使用。安裝及清拆皆合乎經濟原則。所有玻璃纖維儲水箱亦成為香港水務監督辦事處(水務局)、英國皇家水質研究中心、英國水質附屬法例委員會及英國水務學會認可產品。

蓋面

所有玻璃纖維儲水箱均附上高質蓋面及鎖牌一個。

支撐

所有玻璃纖維儲水箱必須放於平面基台或鐵架上

Introduction

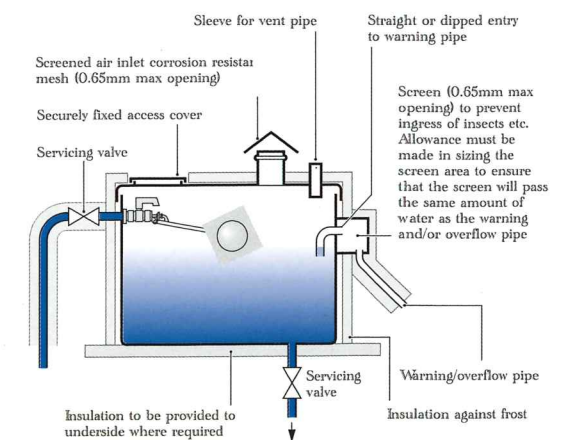
Yeung's fiberglass multi-modular tanks are ideal for installations where access is restricted. They are designed for cost effective self assembly. They are moulded to the same highest standard as one-piece tanks and are approved by the Hong Kong Water Authority and by the WRC(UK) for the storage of potable water.

Covers

They are moulded as an integral feature for all sizes with optional vents and access hatched.

Supports

Tanks must be mounted on a flat level platform supporting the whole of the base.

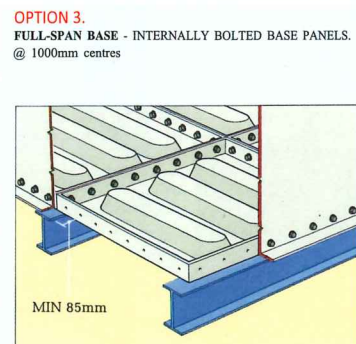
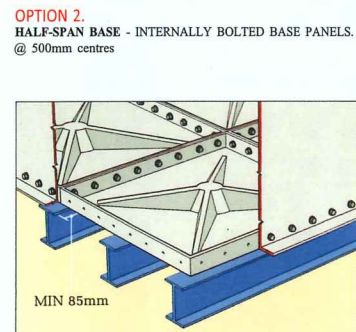
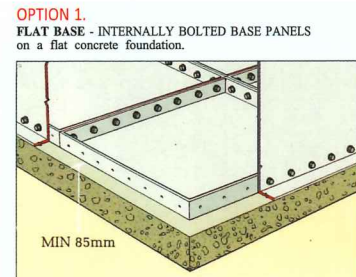
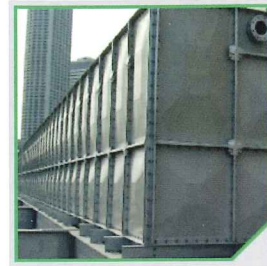


Principal details of a cistern storing water
 儲水箱安裝完成圖(參考圖)

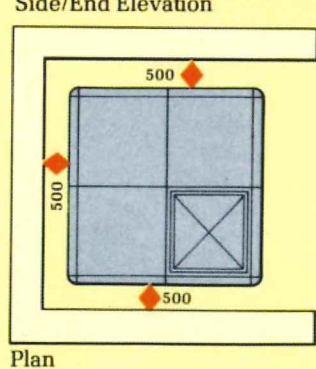
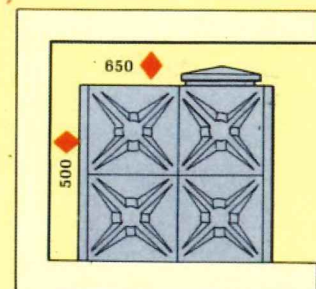
組合式儲水箱 Sectional / Panel Type GRP Tank

The Yeung's Fiberglass sectional tank system consists of a number of different panel profiles, which are specially designed for the various duties. Side Panels, available 1.0m and 0.5m deep or other custom-made dimensions. All internal components are of stainless steel construction. Internal support rod and brackets are of high quality fiberglass or stainless steel. Yeung's sectional tanks are designed to facilitate easy connection of pipework. Best results are achieved when provision is made at the factory prior to dispatch. Tanks can be supplied in pre-insulated form. A comprehensive range of tank fittings are available as optional items.

楊氏玻璃纖維分件式儲水箱全部由高級耐用玻璃纖維平板組件安裝而成，其尺寸分別為500毫米、1000毫米或根據客戶現場尺寸所制定。所有內外配件均採用耐用不銹鋼螺絲及鋼材，而內部結構拉力條均採用高質不銹鋼或玻璃纖維製成。所有儲水箱均方便接駁喉管及可按照客人要求內加隔熱層。楊氏玻璃纖維另可代客人供應配件及內外梯。



Standard Sectional Tank Minimum Clearances

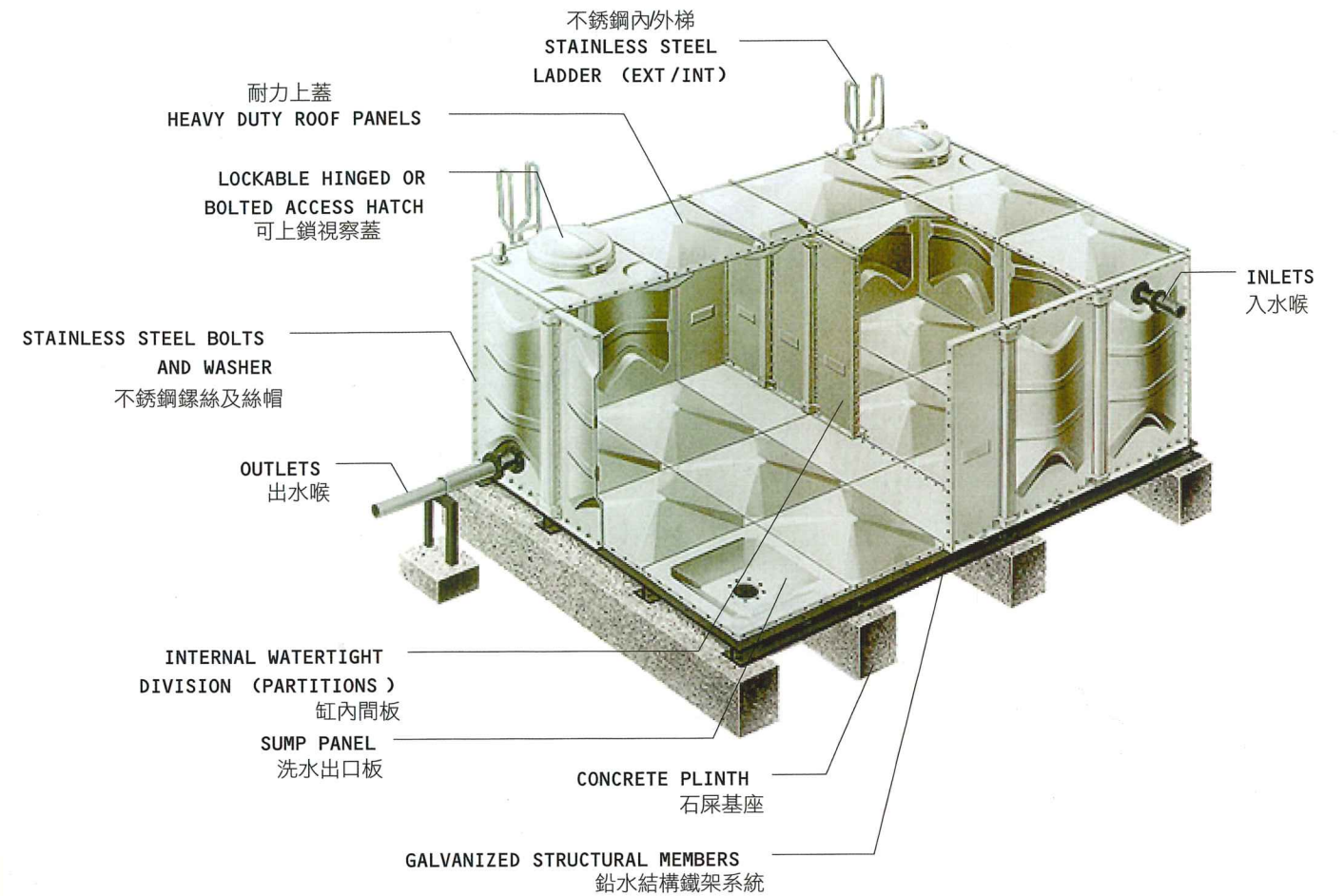


安裝玻璃纖維儲水箱與牆身最少距離

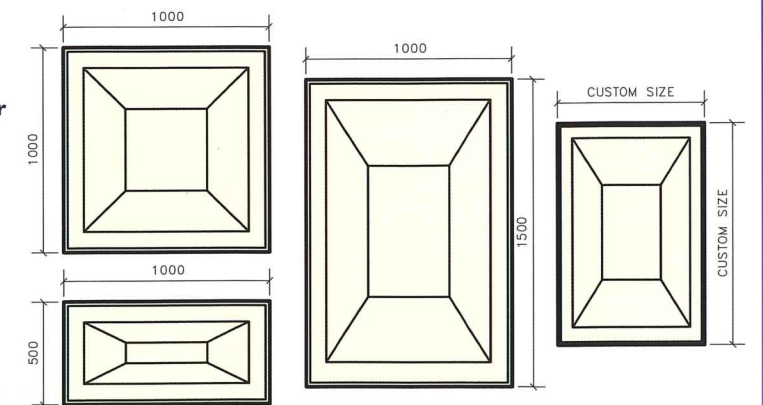
玻璃纖維儲水箱基本支撐結構選擇

客戶服務熱線
8222 8882

YEUNG'S fiberglass
The GRP Tank Specialists
楊氏玻璃纖維 1982
玻璃纖維儲水箱專業伙伴



- Produced to British Standard BS EN 13280:2001 where required
- Approved by the Hong Kong Water Authority and Water Research Centre, UK for storage of potable water
- All panels jig-drilled for ease of assembly
- Heavy-duty panel covers bolted and sealed to UK Water Bylaw 30 and WRAS
- Free off-site hole opening, if required
- External stiffening where required, galvanized for rust protection
- Technical staff available for site measurements and advice
- Technical drawings provided for both tank and supports
- Smooth internal surface avoids bacterial growth
- Full tank erection and site inspection by trained staff



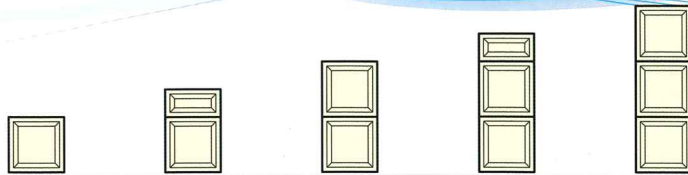
- 嚴格根據英國國家歐盟標準BS EN 13280:2001 制造
- 香港水務處及英國皇家水質研究中心認可產品
- 所有儲水箱送貨時螺絲位已鑽好螺絲孔
- 耐用頂板及香港水務處及英國皇家水質研究中心認可
- 有需要時可於廠房免費開孔
- 技術人員會於安裝地點視察、量度尺寸及提供專業意見
- 本公司可提供圖則設計、結構計算及測量
- 為防止細菌及青苔滋生影響衛生及健康，所有儲水箱均是內滑
- 技術人員可提供安裝及地盤視察報告



You are in safe hands with Yeung's Fiberglass
The GRP Tank Specialists

Litres
公升

組合式水箱
尺寸表



Nominal Volume 名義容量 (Unit 單位 - Litres 公升)

L x B (長x闊)	1.0m D (高)	1.5m D (高)	2.0m D (高)	2.5m D (高)	3.0m D (高)
1 x 1	1000	1500	2000	2500	3000
2 x 1	2000	3000	4000	5000	6000
3 x 1	3000	4500	6000	7500	9000
4 x 1	4000	6000	8000	10000	12000
5 x 1	5000	7500	10000	12500	15000
2 x 2	4000	6000	8000	10000	12000
3 x 2	6000	9000	12000	15000	18000
4 x 2	8000	12000	16000	20000	23000
5 x 2	10000	15000	20000	25000	30000
6 x 2	12000	18000	24000	30000	36000
3 x 3	9000	13500	18000	22500	27000
4 x 3	12000	18000	24000	30000	36000
5 x 3	15000	22500	30000	37500	45000
6 x 3	18000	27000	36000	45000	54000
4 x 4	16000	24000	32000	40000	48000
5 x 4	20000	30000	40000	50000	60000
6 x 4	24000	36000	48000	60000	72000
7 x 4	28000	42000	56000	70000	84000
8 x 4	32000	48000	64000	80000	96000
5 x 5	25000	37500	50000	62500	75000
6 x 5	30000	45000	60000	75000	90000
7 x 5	35000	52500	70000	87500	105000
8 x 5	40000	60000	80000	100000	120000
6 x 6	36000	54000	72000	90000	108000
7 x 6	42000	63000	84000	105000	126000
8 x 6	48000	72000	96000	120000	144000
9 x 6	54000	81000	108000	135000	162000
10 x 6	60000	90000	120000	150000	180000
7 x 7	49000	73500	98000	122500	147000
8 x 7	56000	84000	112000	140000	168000
9 x 7	63000	94500	126000	157500	189000
10 x 7	70000	105000	140000	175000	210000
8 x 8	64000	96000	128000	160000	192000
9 x 8	72000	108000	144000	180000	216000
10 x 8	80000	120000	160000	200000	240000
9 x 9	81000	121500	162000	202500	243000
10 x 9	90000	135000	180000	225000	270000
10 x 10	100000	150000	200000	250000	300000

Tank Capacities in litres
To convert to gallons divide by 4.546
註：單位轉換公升 / 4.546 ≈ 加侖

Remarks :

1. For capacities of tank sizes shown use the following formula : Capacity in litres= L x B x H x 1000
2. All capacities are nominal, no allowance being made for freeboard.
3. To maximize the capacity from a tank, a ball-valve can be used to raise the invert of the inlet above the top of the tank.

客戶服務熱線
8222 8882

圓柱式水箱 Circular Tank

Model	Capacity (Litres)	Diameter (mm)	Nominal Wall Height (mm)*	Approx. Weight (kg)
SERIES 2				
PVT 5/2	5000	2000	2180	250
PVT 7.5/2	7500	2000	2980	300
PVT 10/2	10,000	2000	3775	350
PVT 12.5/2	12,500	2000	4570	420
PVT 15/2	15,000	2000	5365	480
PVT 20/2	20,000	2000	6960	600
SERIES 2.4				
PVT 10/2	10,000	2400	3000	330
PVT 15/2	15,000	2400	4100	400
PVT 20/2	20,000	2400	5200	570
PVT 25/2	25,000	2400	6300	680
PVT 30/2	30,000	2400	7400	800
SERIES 3				
PVT 20/3	20,000	3050	3540	620
PVT 30/3	30,000	3050	4910	820
PVT 40/3	40,000	3050	6280	1000
PVT 50/3	50,000	3050	7650	1200
PVT 60/3	60,000	3050	9020	1400
SERIES 3.5				
PVT 30/3.5	30,000	3500	4000	850
PVT 40/3.5	40,000	3500	5040	1050
PVT 50/3.5	50,000	3500	6080	1200
PVT 60/3.5	60,000	3500	7120	1400
PVT 70/3.5	70,000	3500	8160	1600
PVT 80/3.5	80,000	3500	9200	1800
PVT 90/3.5	90,000	3500	10,240	2000
PVT 100/3.5	100,000	3500	11,280	2250
SERIES 4				
PVT 50/4	50,000	4111	4770	1400
PVT 60/4	60,000	4111	5530	1600
PVT 70/4	70,000	4111	6290	1800
PVT 80/4	80,000	4111	7050	2000
PVT 90/4	90,000	4111	7810	2150
PVT 100/4	100,000	4111	8570	2350
PVT 110/4	110,000	4111	9330	2600
PVT 120/4	120,000	4111	10,090	2900
PVT 130/4	130,000	4111	10,850	3100
PVT 140/4	140,000	4111	11,610	3350
PVT 150/4	150,000	4111	12,370	3650
PVT 160/4	160,000	4111	13,130	3950



* Includes 600mm dish height

* Includes 680mm dish height

* Includes 770mm dish height

客戶服務熱線
8222 8882

Yeung's Fiberglass - Composites Division